

PNEUMO-HYDRAULICS UNITS

**CYLINDERS WITH HYDRAULIC CONTROL
SERIES UD**



The UD series units are manufactured for use where it is required the regulation of the power stroke only.

Units are supplied with integrated expansion tank,

AVAILABLE VERSIONS

Regulated in thrust - free return

Regulated in pull – free thrust

RANGE

BORES and STROKES

BORE mm	STROKES mm								
	50	100	150	200	250	300	350	400	500
50	●	●	●	●	●	●	●		
63	●	●	●	●	●	●	●		
80	●	●	●	●	●	●	●	●	
100	●	●	●	●	●	●	●	●	●

CONSTRUCTIVE OPTIONS

VERSION STANDARD OR MAGNETIC

Available versions :

Regulated in thrust - free return (model RS)

Regulated in pull - free in thrust (model RT)

TECHNICAL DATA

Pressure max: 7 bar

Fluid: filtered air with or without lubrication

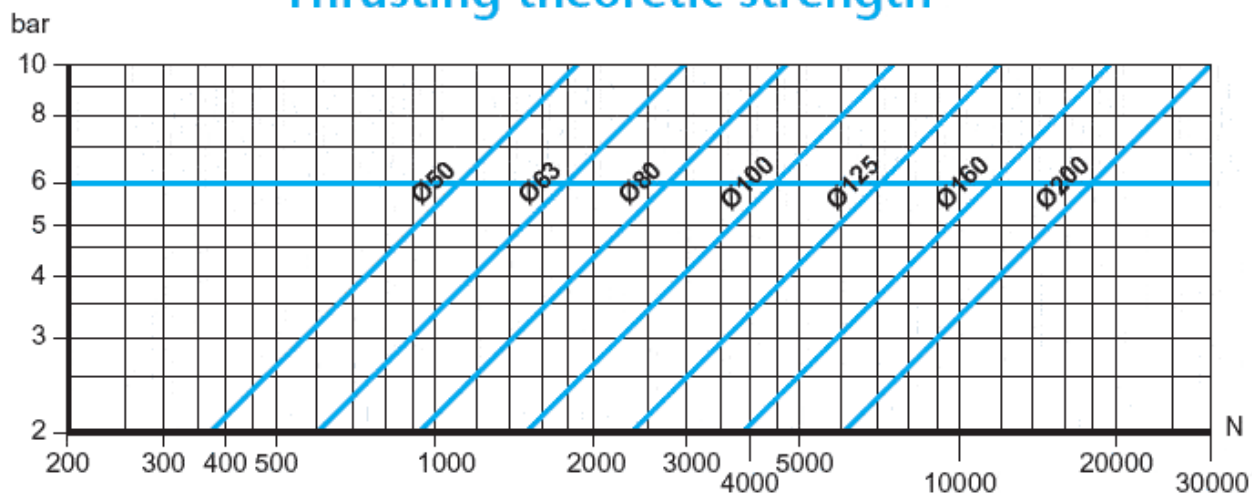
Temperature range: -20°C; +70°C

Speed adjusting range: 60mm/min to 16m/min

THRUST FORCES

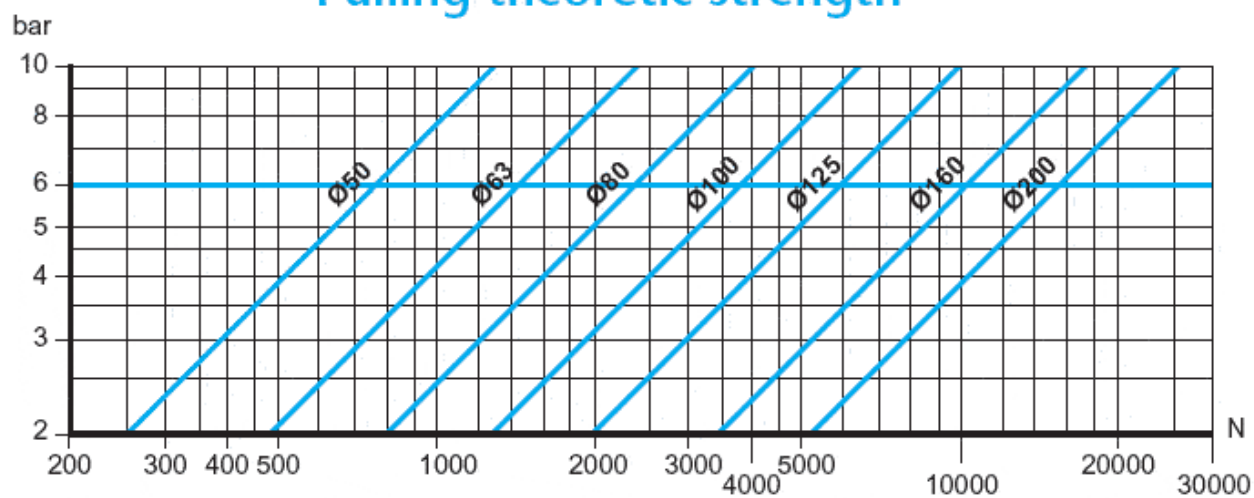
FORZA TEORICA IN SPINTA

Thrusting theoretic strength

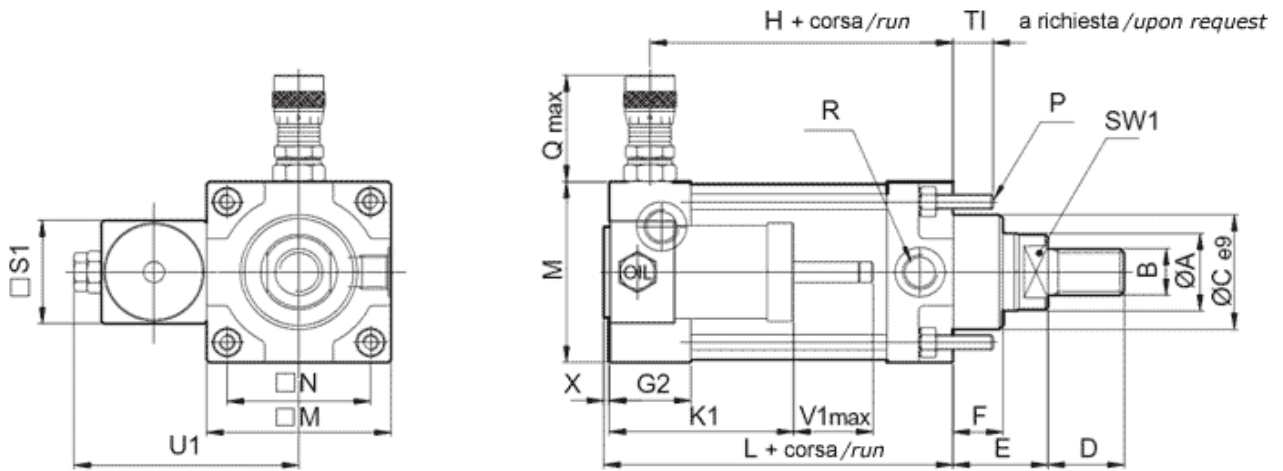


FORZA TEORICA IN TRAZIONE

Pulling theoretic strength



DIMENSIONS



Bore	A	B	C	D	E	F	G2	H	L	M	N	P	Q	R	S1	SW1	TI	UI	X
50	30	M16x1,5	45	32	41,5	23	37	87	107,5±0,5	60	43 ±0,5	M5	50	G1/4	40	24	23	82	1
63	30	M16x1,5	50	32	41,5	23	37	88	107,5±0,5	80	54,5±0,5	M6	50	G3/8	40	24	23	92	1
80	35	M20x1,5	60	40	54,5	35	41,5	96	118±0,7	90	70±0,5	M8	48,5	G3/8	50	30	28	115	1,5
100	35	M20x1,5	60	40	54,5	30	41,5	101	123±1	110	83,5±0,5	M10	44	G1/2	50	30	28	125	1,5

Bore	STROKE mm					
	0-150		151-300		301-500	
	K1	V1	K1	V1	K1	V1
50	103	54	165	87	245	140
63	103	54	165	87	245	140
80	115	52,5	183	85	276	142
100	115	52,5	183	85	276	142

