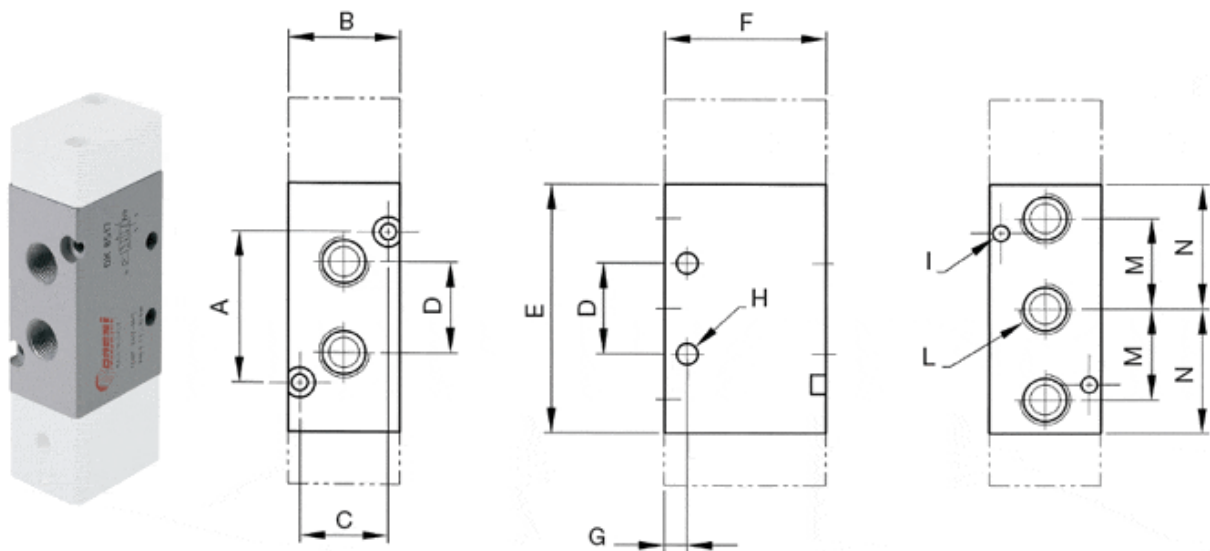


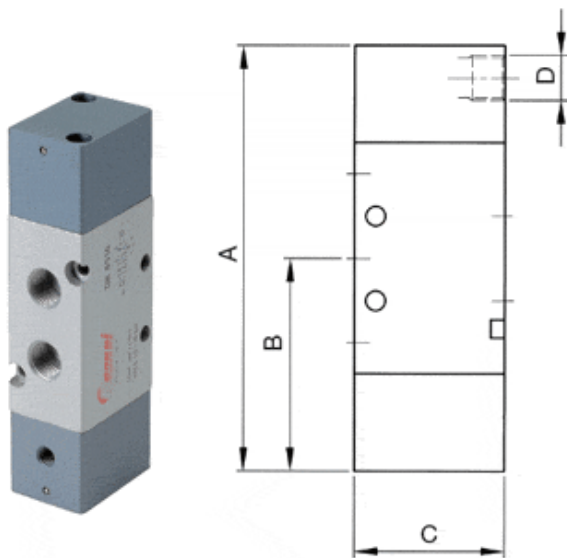
DIMENSIONS PNEUMATIC VALVES SERIES K83

COMMON DIMENSIONS



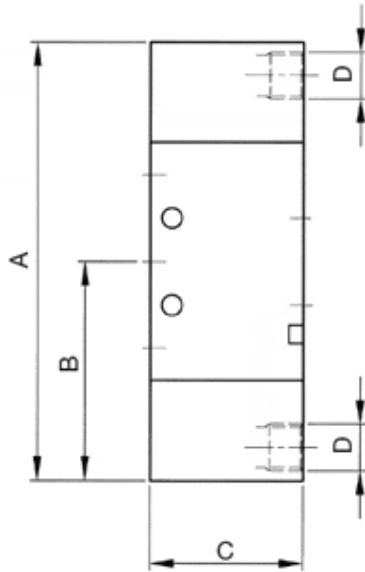
SIZE	A	B	C	D	E	F	G	H	I	L	M	N
1/8"	30	22	17.4	18	49.5	32	4.5	4.2	3.2	R5	18	24.75
1/4"	38	25	19.6	22	62	40	6	4.2	3.2	1/4"G	22	31

SINGLE STABLE POSIZION - PNEUMATIC SPRING 5/2 ways



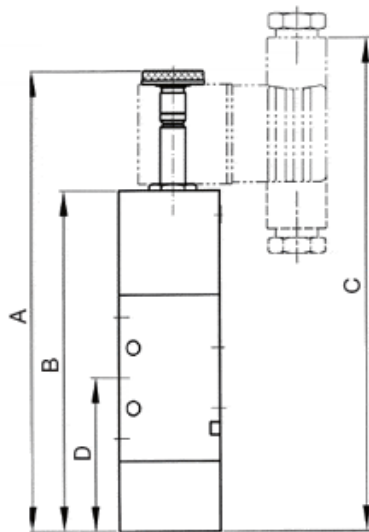
Model	
DK 8516	DK 4516
Size	
1/8"	1/4"
A 91.5	A 106
B 45.75	B 53
C 32	C 40
D M5	D 1/8"G

DOUBLE STABLE POSITIONS PNEUMATIC



Model	
DK 8526 DK 8527	DK 4526 DK 4527
Size	
1/8"	1/4"
A 91.5	A 106
B 45.75	B 53
C 32	C 40
D M5	D 1/8"G

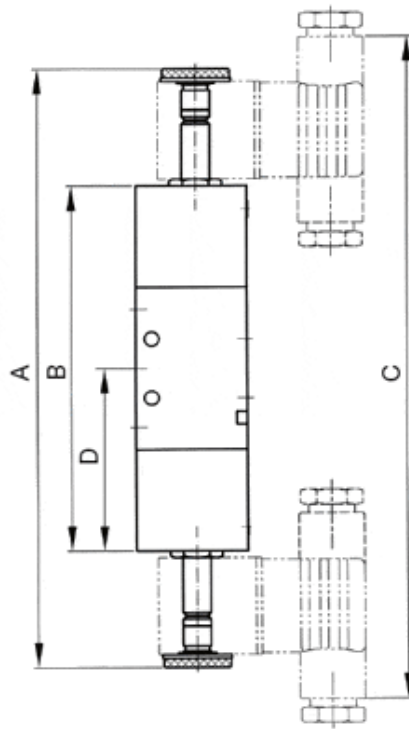
SINGLE STABLE POSITION SOLENOID – PNEUMATIC SPRING 5/2 ways



Model	
EK 8511/C	EK 4511/C
Size	
1/8"	1/4"
A 137	A 151.5
B 101.5	B 116
C 146.5	C 161
D 45.75	D 53

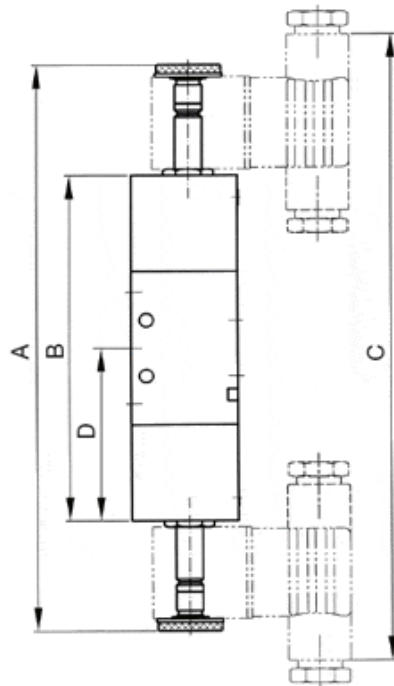
DOUBLE STABLE POSITIONS





Model	
EK 8521/C EK 8522/C	EK 4521/C EK 4522/C
Size	
1/8"	1/4"
A 182.5	A 197
B 111.5	B 126
C 201.5	C 216
D 55.75	D 63

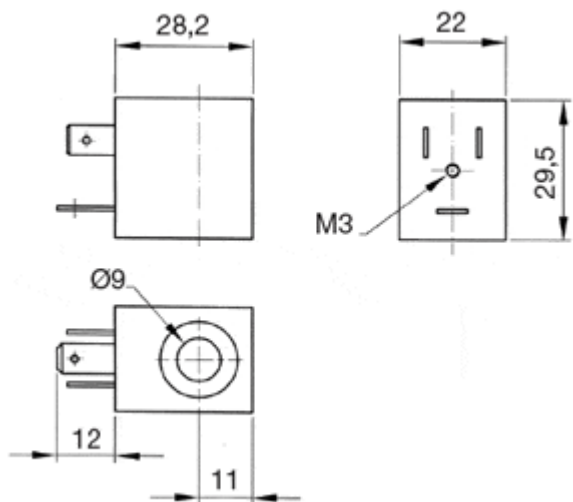
SOLENOID VALVE 5/3 ways



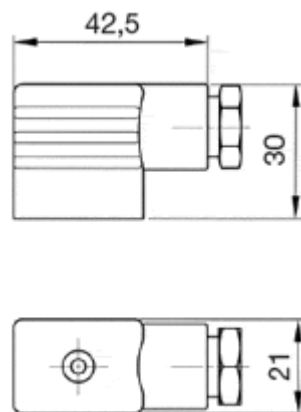
Model	
EK 8621/C EK 8721/C	EK 4621/C EK 4721/C
Size	
1/8"	1/4"
A 182.5	A 217
B 111.5	B 146
C 201.5	C 236
D 55.75	D 73



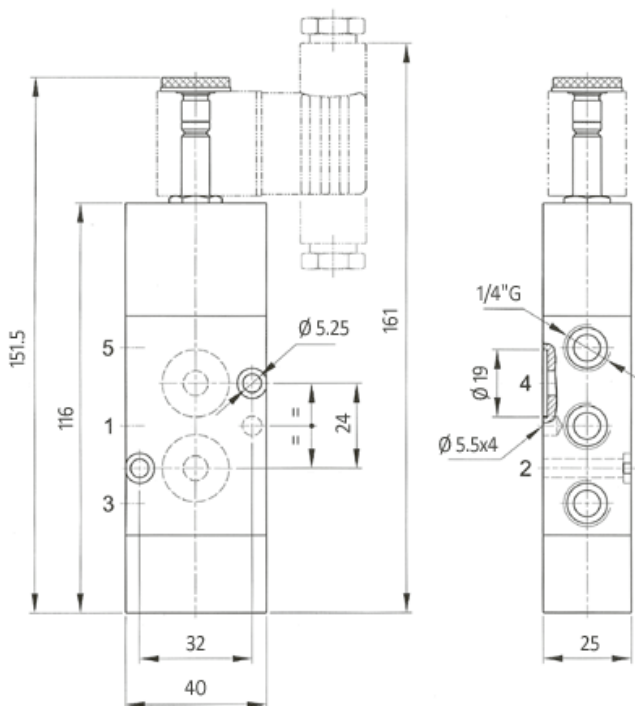
COIL



CONNECTOR



SINGLE STABLE POSITION – PNEUMATIC SPRING (VERSION NAMUR) 5/2 vie



Model	EKN 4511/C
Size	1/4"