

OLEOPNEUMATIC CYLINDER

**HYDRAULIC CYLINDER CONTROLLED
CZ SERIES**

The CZ series speed hydraulic is a dynamically passive hydraulic device. It is fitted when a steady movement of a moving mass pushed by a pneumatic cylinder is required, it may be coupled parallel or in line with the unit itself or opposed, connected to the moving body,



RANGE

BORE

Bore mm	STROKE mm										
	50	100	150	200	250	300	350	400	450	500	
35											

TECHNICAL DATA

Braking power: max. 800 daN - min. 30 daN

Temperature: -20°C; +70°C

Speed regulation range: 40mm/minute 12m/minute

STANDARD FEATURES

Single adjustment

Double adjustment : thrusting and pulling

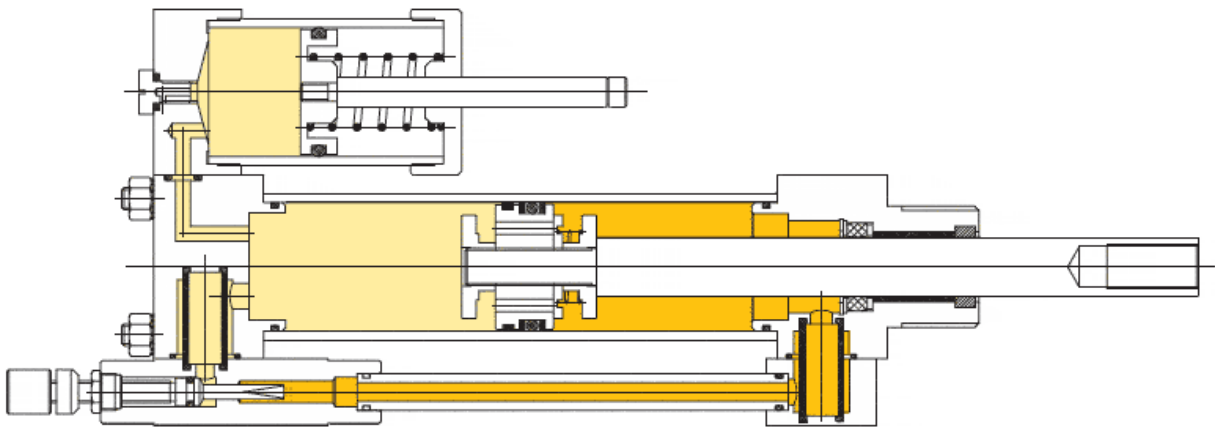
SKIP valve - pneumatic control

STOP valve - pneumatic control

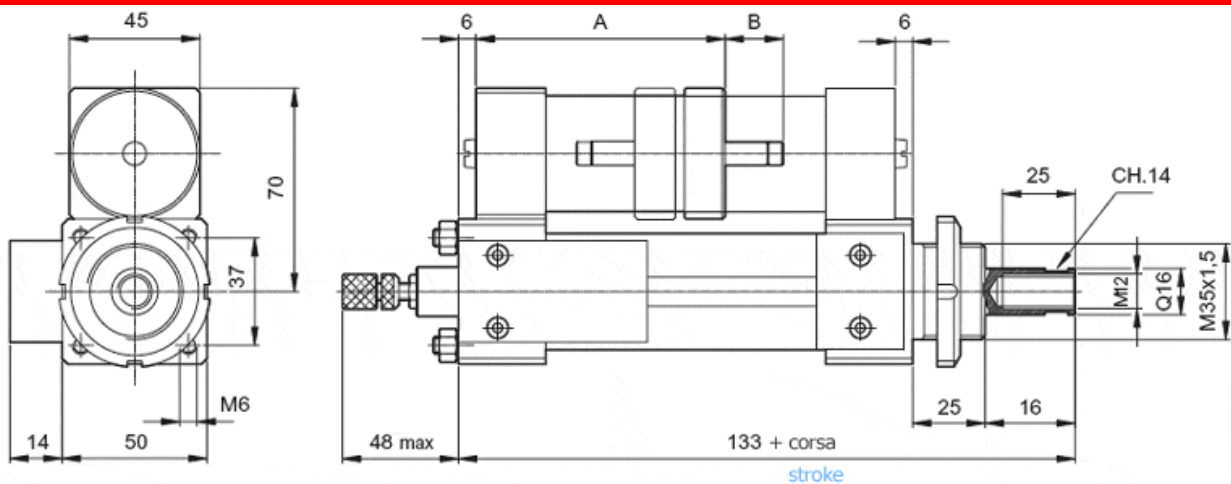
CONSTRUCTION FEATURES

- Body in externally cadmium plated drawn brass
- End cap in anodized drawn aluminium
- Piston rod in vanadium chrome plated steel
- Tie rods in cadmium plated steel
- Seals in NBR anti-oil nitrile rubber and polyuretane
- Hydraulic circuit oil- ATF FLUID
- Standard fixing with threaded nose
- Front end cap projecting tie rods upon request

SCHEMATIC OPERATING DIAGRAM



DIMENSIONS FOR ALL VERSIONS



STROKE mm	A	B max
0-75	90	40
76-154	106	56
155-225	163	83
226-300	179	99
301-450	251	141
451-600	328	166

